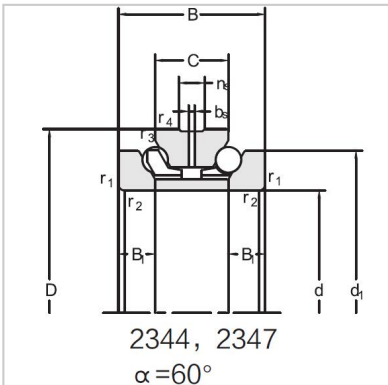


## Angular Contact Ball Bearing

### Double direction angular contact ball bearing-234411M



Bearing NO.	<b>234411M</b>
Dimension(mm)	
d	55
D	90
d1	78
T	<b>44</b>
C	22
B	<b>11</b>
rsmin	1.1
r1smin	0.3
Assembly Demension	
da	69
Da	84.5
ra	<b>1</b>
rb	0.3
Loading(KN)	
Ca	<b>34</b>
Coa	67
RPM(r/min)	
Lub.	6300
Oil	8500
Oil groove and oil hole(mm)	
n	6.5
k	3.2
Stiffness(N/μm)	
Ra	458
Weight(Kg)	
≈	0.94