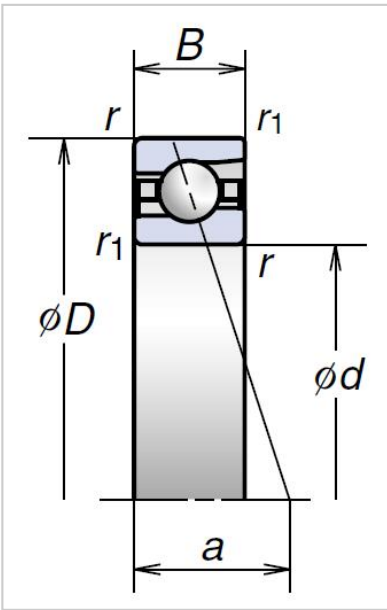


## Ultra High-Speed Angular Contact Ball Bearings

### BGR Series Ultra High-Speed Angular Contact Ball Bearings-7BGR10X



Bearing NO.	<b>7BGR10X</b>
Dimensions	
D (mm)	<b>7</b>
d (mm)	19
2B (mm)	6
r Min	0.3
r1 Min	0.15
Basic Loading Ratings(KN)	
Cr (Dynamic)	1.6
C0r (Static)	0.52
Permissible axial load (KN)	0.4
Effective load center(mm) a	4.7
Limiting speeds [rpm][min-1]	
Grease	170000
Oil	231000
Weight (kg)	0.007