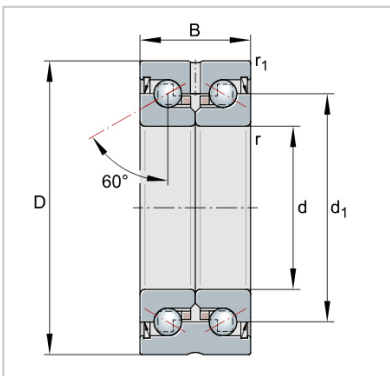


ZKLF ZKLN Double Direction Axial Angular Contact Ball Bearings

ZKLN Axial angular contact ball bearings-**ZKLN3572-2Z**



Designation	ZKLN3572-2Z
Mass m = kg	0.51
Dimensions	
d	35
D -0,010	72
B -0,25	34
d1	52
r min.	0.3
r1 min.	0.6
Mounting dimensions	
Da max.	62
da min.	45
Basic load ratings axial	
dyn. Ca N	45000
stat. C0a N	89000
Fatigue limit load Cu N	5200
Lim- iting speed nG	5800
grease min-1	
Thermally safe	3800
operating speed nP	
min-1	
Bearing frictional torque	0.3
MR Nm	
Rigidity axial caL N/μm	900
Tilting rigidity ckL	400
Nm/mrad	
Mass moment of inertia1) Mm kg · cm ²	1.51
Axial runout1) μm	2.5
Recommended INA precision locknut2)	
For radial locking	ZM35
Tightening torque4) MA AM35/58	
Nm	
Tightening torque4) MA 40	
Nm	
Required locknut force3) axial N	10770