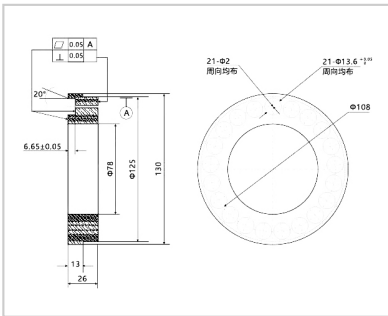


Mud Motor Bearing

PDC bearing- 2 1/8"



Model	PDC bearing 2 1/8"
parent casing specifications	
OD (mm)	2 1/8"
Wall thickness(mm)	customized
ID(mm)	customized
OD	
mm	customized
Drift	
mm	
Rated load	
kN	
Seal pressure	
MPa	
Annularseal pressure	
MPa	

Polycrystalline Diamond (PDC) radial bearings also named PDC Thrust bearing.

Diamond bearing PDC Thrust bearing are widely used for turbo drills and mud motors,we can supply the size from 1inch to 10inch in diameter with good quality and best price.

1.Product Introduction of PDC Thrust bearing

PDC Thrust Bearing is widely used in turbo drills,mud motors and other oil field applications. We have two different types includes PDC radial bearing and PDC thrust bearing.Compared with tungsten carbide bearing,The PDC bearing has longer working life,its life is 4-10 times longer than tungsten carbide bearing, meanwhile it can also bear the increased load capacity.

2.Product Specification of PDC Thrust bearing

The bearings are available in size from 1inch to 10inch in diameter.

We can make PDC Radial bearing and PDC Thrust bearing as your

specific drawings or samples.

3. Production Feature and Application of PDC Thrust bearing

High Hardness

High wear resistance

High corrosion resistance

Longer service life

widely used in turbo drills, mud motors and many other oil field applications.

Drilling motors (oil and gas)

Drilling turbines (oil and gas)

Other oil and gas drilling tools

There are four type configurations:

1. Thrust Polycrystalline Diamond (PCD) radial bearings

2. Tapered Polycrystalline Diamond (PCD) radial bearings

3. Radial Polycrystalline Diamond (PCD) radial bearings

4. Spherical Polycrystalline Diamond (PCD) radial bearings

The specifications $\varnothing 124 \times \varnothing 80 \times H26$ $\varnothing 148 \times \varnothing 91.5 \times H26$ PDC bearings have high resistance to grinding and can operate at high temperatures (currently at a maximum temperature of 233 ° C) and can withstand large axial loads. PDC materials have a low friction coefficient and are not affected by natural or mud chemicals present in the well. Each pair of PDC thrust bearings consists of an upper ring and a lower ring, and each bearing ring contains a cemented carbide ring and a PDC cutter.

Polycrystalline Diamond radial bearings are parts of PDC inserts assembled in carrier rings. PDC radial bearing set includes a rotating and stationary bearing ring. Two rings oppose each other with the PDC surface on the inside diameter of one ring in direct contact with the PDC surface on the outside diameter of the mating ring.

Allowed to provide PDC radial bearings that have accurate diameters,

tight clearance tolerances, and ultra-fine surface finishes.

The high hardness and strength PDC allow radial bearings to sustain highly loads during operation.

Otherwise, they bear at very low rate, resulting in the PDC bearings lasting from 900 hours to many years,

It's depending on the application. The PDC inserts also use highest quality steel. PDC bearings are very suitable for process-fluid-lubricated applications, especially where abrasive particles are present in the fluid. The PDC surfaces maintain their geometry and exhibit minimal wear in the presence of these abrasive-laden fluids.

Our PDC and TC (Tungsten carbide) Radial Bearing advantages are as the following:

- 1) Highly resistant to abrasion, erosion, corrosion, and mechanical failure.
- 2) Extremely resistant to chipping, cracking, and flaking which are inherent problems in cladding or welded overlay processes.
- 3) High heat conductivity eliminates thermal cracking.
- 4) Proprietary design eliminates catastrophic downhole radial bearing failure.
- 5) Carbide tile and matrix design ensures extended life compared to cladding or welded overlay designs.
- 6) Inner and outer components can be reconditioned.
- 7) The hardness of body surface can reach 30-37 HRC.

